

ALFRED TEVES BRAKE SYSTEMS (PTY) LTD

TECHNICAL BULLETIN

OCTOBER 2024

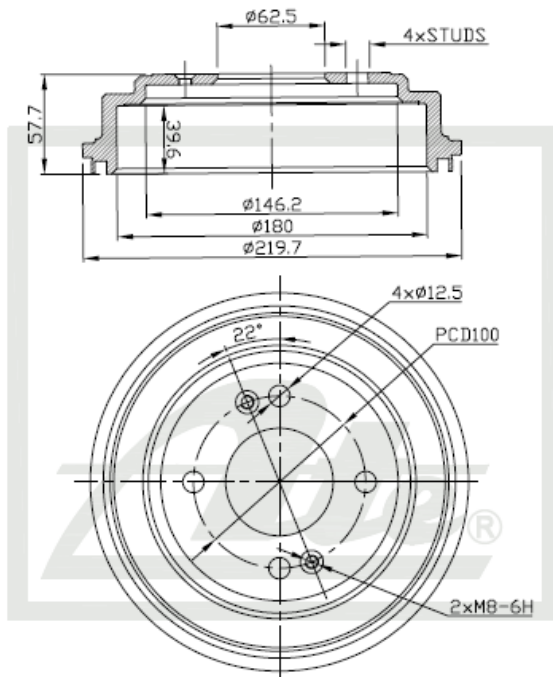
218.1001



(ATE and Teves are registered trademarks of Continental Teves AG & Co oHG and/or its affiliates in Frankfurt Germany and other Countries)

NEW PART NUMBER

Drawing



MAX.Ø182mm

Details of New Part

Brake Drum – Rear

Product Dimensions

Outer Diameter – 219.7mm

Inner Diameter – 180.0mm

Height – 57.7mm

PCD – 100mm

Spigot – 62.5mm

Package Dimensions

Weight – 3500g

L – 260mm

W – 250mm

H – 70mm

Barcode



218.1001

Vehicle Applications

- HYUNDAI GETZ (TB) [2002-11] 1.1
- HYUNDAI GETZ (TB) [2002-11] 1.3
- HYUNDAI GETZ (TB) [2002-11] 1.3i
- HYUNDAI GETZ (TB) [2002-11] 1.4i
- HYUNDAI GETZ (TB) [2002-11] 1.5
- HYUNDAI GETZ (TB) [2002-11] 1.5i
- HYUNDAI GETZ (TB) [2002-11] 1.5 CRDi
- HYUNDAI GETZ (TB) [2002-11] 1.6

Front Position Rear



CALL NOW TO ORDER YOUR STOCK!!!

(011) 898 1800

Picture(s) of the vehicle(s) that this part is suitable for



www.ate.co.za

"Single Minded about YOUR Safety"